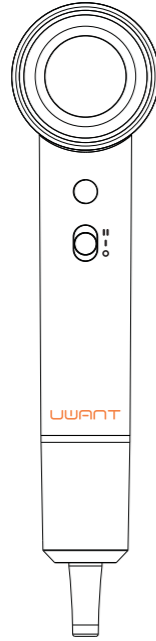


## UWANT Hair Dryer H100

Instruction Manual



### ⚠ WARNING Usage and Storage

- Do not block the air intake of the hair dryer during operation, as it may cause the heating element to overheat and result in a fire.
- Do not immerse the hair dryer in water.
- Avoid using the hair dryer in humid environments.
- Keep the hair dryer dry to prevent electric shock.
- Do not use the hair dryer with wet hands, as it may cause electric shock or a fire due to a short circuit.

\* Do not use the hair dryer near flammable substances such as gas or other inflammable materials (e.g., solvent-based paints, thinners, aerosols), as it may lead to explosions or fires due to a short circuit.

\* Avoid wrapping the power cord around the body of the product during storage, as it may cause the power cord to break, resulting in electric shock or a fire due to a short circuit.

\* Avoid storing the hair dryer in highly humid areas, as it may cause electric shock or a fire due to a short circuit.

\* Keep the hair dryer out of reach of children and infants to prevent electric shock and injuries.

\* Do not attempt to repair, disassemble, or modify the product yourself, as it may cause fire or malfunction and result in injuries.

\* For added protection, it is recommended to install a residual current device (RCD) with a rated residual operating current not exceeding 30mA in the bathroom power circuit.

\* Do not use the hair dryer if the power cord or plug is damaged or overheating. Doing so may cause burns, electric shock, or a fire. (Please return it to the authorized service center for repair)

### ⚠ CAUTION

Please do not use this product near filled bathtubs, showers, washbasins, or other containers of water.

- During use, the air vent and nozzle of the hair dryer may become hot. Please do not touch them with your hands while in operation, as it may cause burns.

- Do not use the hair dryer on infants or young children, as it may cause burns.

- When using the hair dryer in the bathroom, please remember to unplug it after each use.

- Please avoid forcefully pulling or tugging the power cord, as it may result in the wire breaking, leading to electric shock or a short circuit that could cause a fire.

- This product is intended for hair drying and styling purposes only. Please do not use it to dry shoes or clothing, as it may cause a short circuit and potentially lead to a fire.

- Do not drop any objects, especially metal items, into the air vent of the hair dryer. Doing so may result in electric shock, explosions, or fires caused by short circuits or heating element malfunctions.

- When cleaning the hair dryer, please ensure that the power switch is turned off and unplug the power cord.

- Please regularly use a towel, cotton swab, or toothbrush to remove any buildup or debris from the air intake and air outlet of the hair dryer.

- Please avoid pressing or rubbing the air intake and air outlet with your nails or sharp objects to prevent damaging the product.

- Do not use alcohol, nail polish remover, or detergents to clean this product, as it may cause

malfunctions, breakage, or fading.

- If the power cord is damaged, to avoid any potential hazards, it is necessary to have it replaced by a professional from the manufacturer, their authorized service center, or a similar department.

- The appliance is not being used by persons (including children) with reduced physical, sensory or mental capabilities, or lack of experience and knowledge, unless they have been given supervision or instruction.

- children being supervised not to play with the appliance.

### Product Features

#### High-Speed Brushless Motor

The product is equipped with a self-developed high-speed brushless motor that operates at 110,000 RPM, delivering a powerful and instant airflow for fast hair drying.

#### Smart Temperature Control System

The hair dryer is equipped with a built-in smart temperature control system that precisely regulates the airflow temperature to prevent hair damage from overheating. It performs thousands of scans and samples per second to ensure real-time temperature control. Additionally, it features a built-in blockage protection mechanism to safeguard against airflow obstruction.

#### hot and cold air alternating mode

Cold and hot air alternate every 3 seconds.

This function helps prevent heat concentration, allowing you to dry and style your hair simultaneously.

#### To enter the function:

Press and hold the temperature adjustment button for 3 seconds.

To exit the function:

Simply press the temperature adjustment button once briefly.

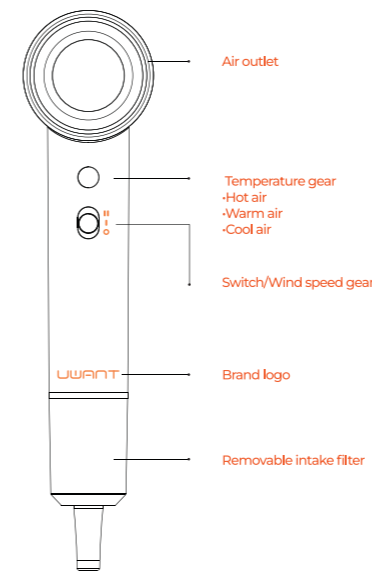
#### Negative ion hair care technology

The built-in negative ion generator generates negative ions to neutralize the positive charges in the hair, reducing static buildup and preventing hair from becoming frizzy.

#### Noise reduction design

By optimizing the motor, sharp high-frequency noise is modulated to frequencies that are imperceptible to the human ear. Further noise reduction is achieved through motor balancing and the use of sound-absorbing materials like foam, resulting in an enhanced user experience.

### Product Features

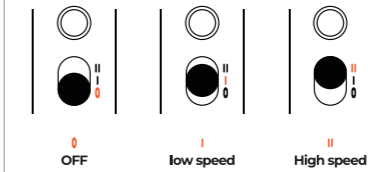


The illustrations of the product, accessories, and user interface in the instruction manual are for reference purposes only and are intended to provide a general idea. Due to product updates and upgrades, there may be slight differences between the actual product and the illustrations. Please refer to the actual product for accurate information.

### Gear Functions

#### Power switch/fan speed settings

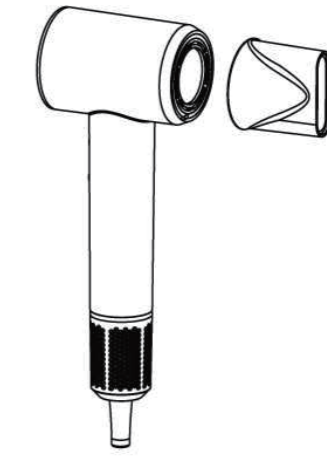
To switch between two fan speed settings, simply push the switch up or down. Before connecting the power plug, make sure the power switch is in the off position.



#### Basic specifications

Product name	Hair Dryer
Product model	H100
Rated voltage	220-240V
Rated frequency	50/60Hz
Rated power	1500W
Product size	Z79 X 94 X 65mm

### How to use the nozzle

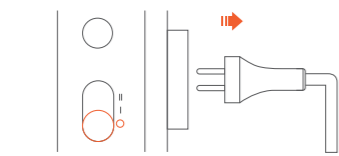


The device comes with a magnetic nozzle attachment that can be easily and securely placed by aligning it with the airflow outlet. It allows for convenient rotation and usage.

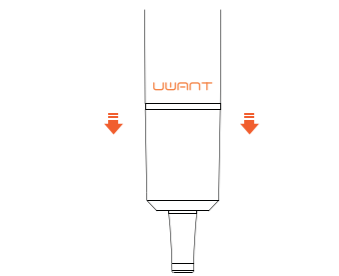
### MAINTENANCE

The filter needs regular cleaning and maintenance to prevent debris from blocking it and ensure proper airflow.

1. Before cleaning the filter, please ensure that the hair dryer is turned off and unplugged from the power outlet.

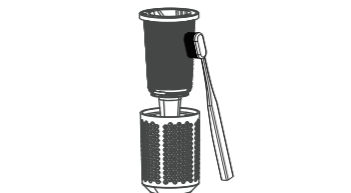


2. The intake filter is fixed with a magnetic attachment. Grasp the handle firmly and pull the intake filter downward to detach it from the handle.

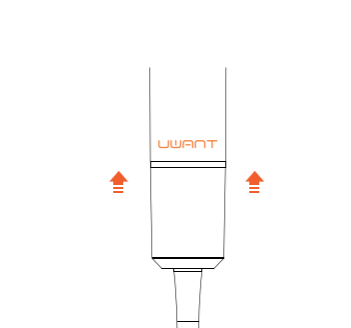


\* Please do not use water to clean the stainless steel filter. Doing so may cause malfunction.

3. Use a dry, lint-free cloth, a soft brush, or a toothbrush to remove any debris or particles from the surface of the intake filter and stainless steel filter.



4. After cleaning, align the intake filter with the slot on the handle and insert it. Once you hear a "click" sound, it indicates that the magnetic attachment is in place and the installation is complete.



### Names and content of harmful substances in the productPrecautions

Component	Harmful substances					
	Pb	Hg	Cd	Cr(VI)	PBB	PBDE
Plastic Parts	○	○	○	○	○	○
Metal components	○	○	○	○	○	○
Heating element	×	○	○	○	○	○
Motor component	×	○	○	○	○	○
Circuit control component	×	○	○	○	○	○
Power cord	○	○	○	○	○	○
Attachments	○	○	○	○	○	○

This form is prepared according to the provisions of SJ/T11364.

○: Indicates that the content of this hazardous substance in all homogeneous materials of this part is below the limit requirement specified in GB/T26572.

×: Indicates that at least a certain

### Common malfunctions and troubleshooting

	Common malfunctions	Possible causes of malfunctions	Troubleshooting
The device does not power on	The red indicator light is on and starts flashing, with a 1-second pause after each flash, repeating in a cycle.	Airflow abnormality	Clean air inlets and outlets
	The red indicator light is on and starts flashing, with a 1-second pause after 2 flashes, repeating in a cycle.	Abnormal input voltage	Check the mains voltage
	The red indicator light is on and starts flashing, with a 1-second pause after (3-6) flashes, repeating in a cycle.	Internal components/motor damage	Contact the after-sales service center
	The LED light is not working	Power supply abnormality	Check for power outage or loose plug connection
The device can start up normally	The temperature control button does not respond	Damaged light ring circuit board	Contact the after-sales service center
	The heating wire inside the air outlet turns red.	The keypad is damaged	
	The power cord or plug is overheating.	The control board is damaged	
	There is a burnt smell during normal use.	The power cord is damaged or the plug is loose	
		Internal components are damaged	